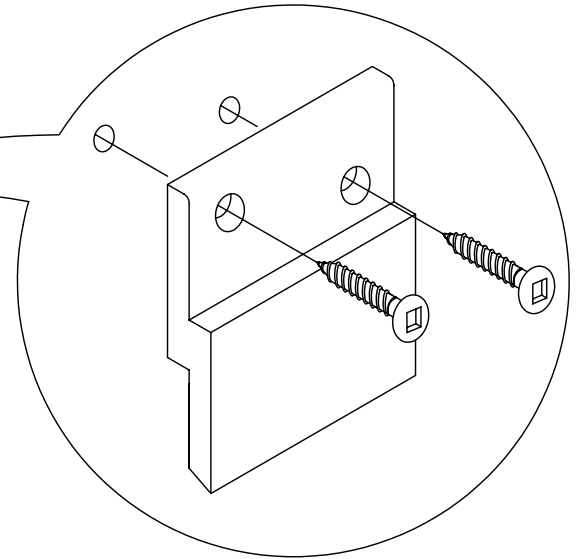
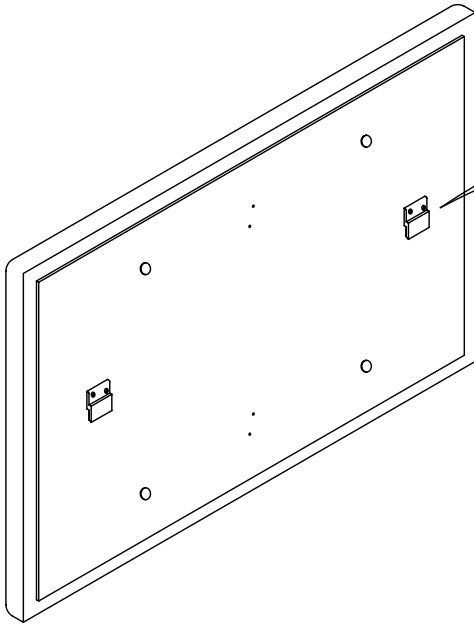
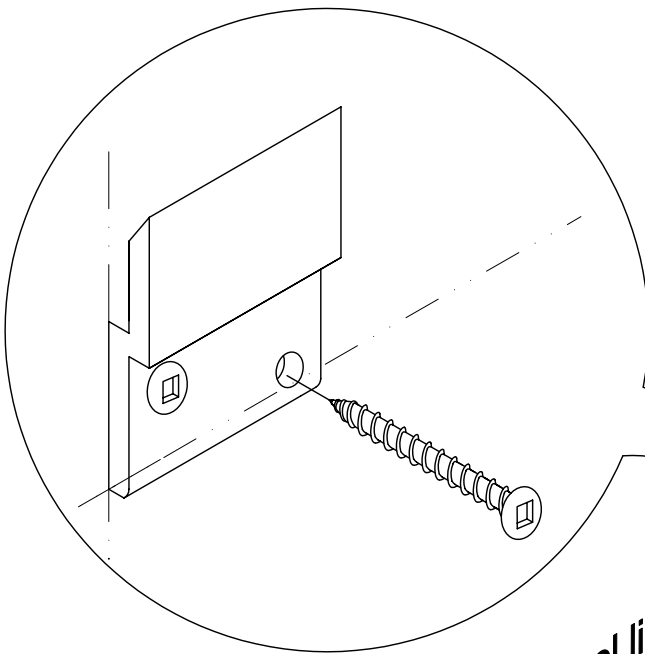


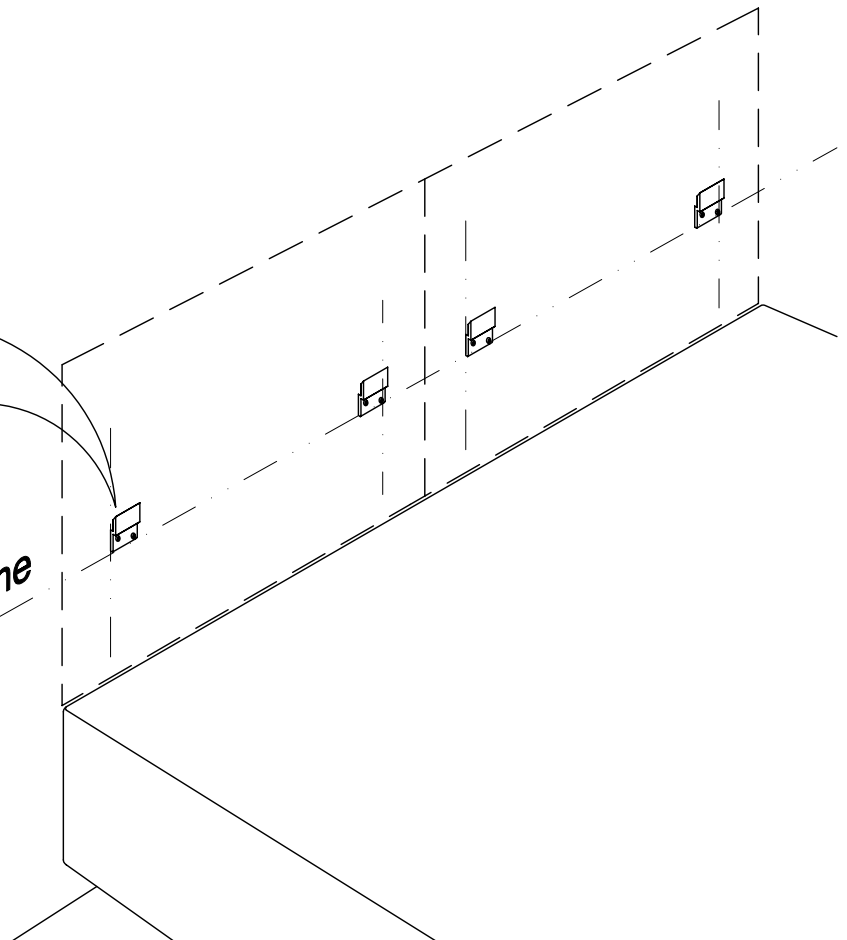
Attaching brackets



1. Attach brackets to the back of the panel.
All holes are predrilled.



2. Attach brackets to the wall.
Use paper template to place them in the right position.



Brackets, screws,
drywall anchors and
template are included.

When attaching to brick or concrete wall,
substitute supplied screws with standard
masonry screws.